

# KEYS FOR INSERT



Provided with slot for a key ring. The key can be produced with your company logotype upon request.

Key shape A: Used with standard quarter-turn latches.

Key shape B: May be used with either standard or compact quarter-turn latches.



**MATERIAL**

**Key:** Glass fibre reinforced polyamide (PA6GF30), black

**RELATED PRODUCTS**

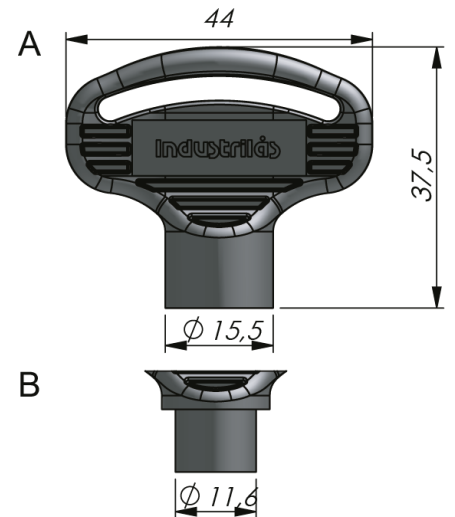
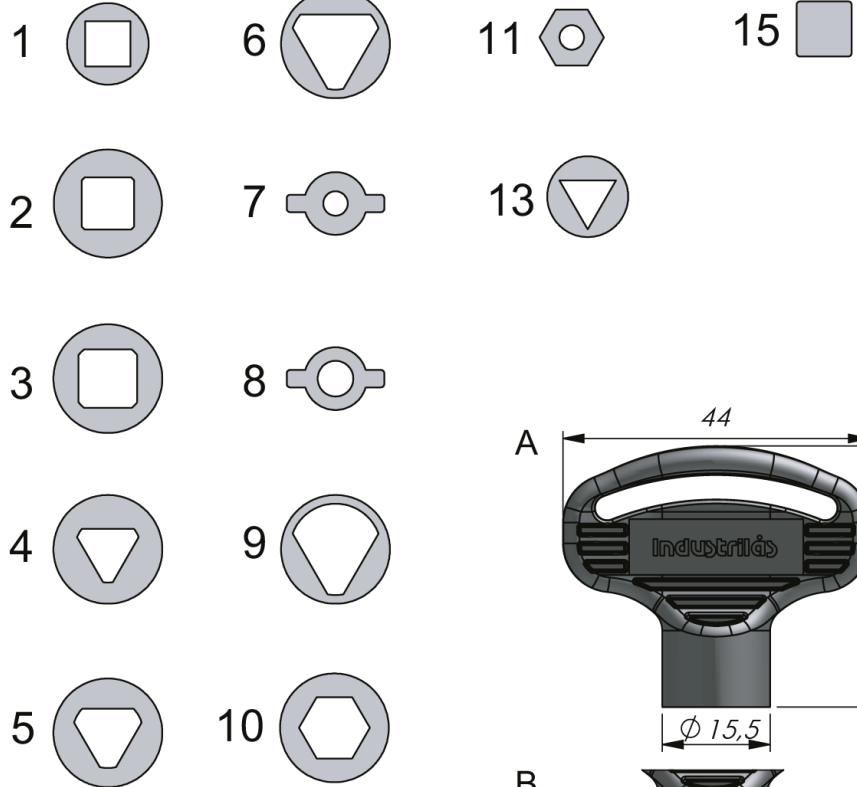
**Needed components for a complete system:**

2-070

Use the Index Code at [industrilas.com](http://industrilas.com)

**TECHNICAL INFORMATION**

Other colours on request.



| P/N      | For insert                  | Shape | Drawing |
|----------|-----------------------------|-------|---------|
| 29501001 | Square 6                    | B     | 1       |
| 29501002 | Square 7                    | B     | 2       |
| 29501003 | Square 8                    | B     | 3       |
| 29501004 | Triangle 6,5                | B     | 13      |
| 29501005 | Triangle 7                  | A     | 4       |
| 29501006 | Triangle 8                  | A     | 5       |
| 29501007 | Triangle 10                 | A     | 6       |
| 29501008 | Double bit 3                | A     | 7       |
| 29501009 | Double bit 5                | A     | 10      |
| 29501010 | Hexagon 8,5                 | A     | 10      |
| 29501011 | Triangle 10 / radius        | A     | 9       |
| 29501012 | Recessed hexagon 8/3 mm pin | B     | 11      |
| 29501013 | Recessed square 8           | A     | 15      |